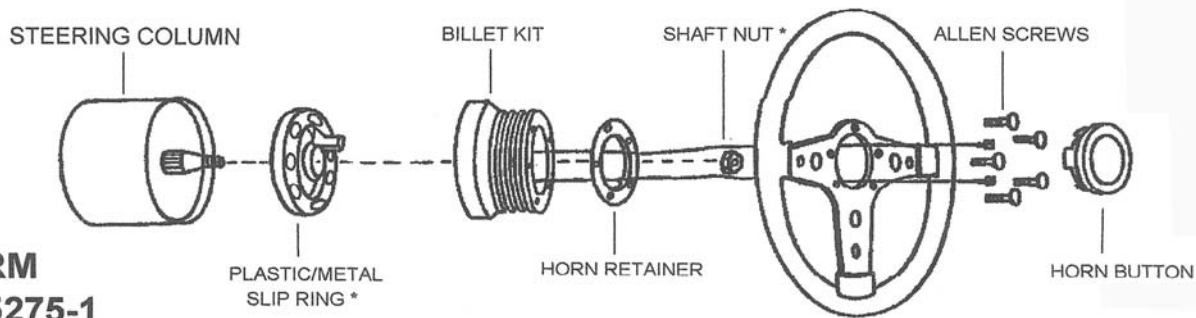


NOT FOR USE ON AIRBAG EQUIPPED VEHICLES

GRANT

On the Web: www.grantproducts.com

* EXISTING PARTS



FORM
5275/5275-1

REMOVING ORIGINAL WHEEL

1. Point wheels straight ahead and disconnect battery or pull horn fuse before starting removal of the old wheel so horn won't short out and blow during installation.
2. Remove center of original wheel by pulling toward you from area just behind spokes. The entire front and top of wheel will come off in one piece. Disconnect the electrical connector inside wheel and set the entire assembly aside.
3. Remove bolt holding wheel to shaft.
4. With conventional puller, (or GRANT puller 5891), use the two tapped holes which you will find in the hub of old wheel to pull off the steering shaft.

If a puller is not available, you may improvise an efficient one to do the job. By drilling two holes of the proper size in a short steel bar and using two screws of the proper length, you can tighten them and pull the old wheel very easily.

PREPARATION TO INSTALL NEW WHEEL

5. Remove the plastic/metal contact assembly from back of old wheel by removing the three retaining screws.

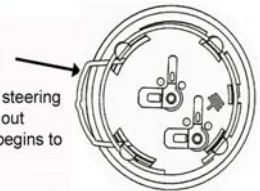
On back of GRANT custom hub is a small o-ring. Lightly lube this o-ring and install the old contact assembly by aligning electrical connector with hole in hub and pushing onto bottom of custom hub until it "snaps" past o-ring. The screws originally used are not necessary with GRANT hub.

6. **Preparing wheel for installation** - Remove the five (5) allen screws securing wheel to GT adapter. (Gt adapter is not used with a billet kit installation). Take wheel, horn button, retainer ring and/or trim ring and transfer these components to "billet" adapter noting that the arrow stamped on collar is the top of the wheel. Reinstall screws securely, but leave horn button off at this time.

7. Make the following modification to the horn button, as the button **must not be grounded**:

Cut off external portion of wire spring **[Only for 2 wire horn systems]**

(This wire spring must not make contact with steering wheel or retainer ring). To do this, pull spring out about 1/4" and cut with wire cutters where it begins to go back inside the housing.



8. If necessary, apply grease from enclosed capsules to contact surfaces in slip ring. This will reduce wear on the parts and does not interfere with the electrical circuit.

Plug wire lead provided in kit into connector on slip ring assembly.

INSTALLING WHEEL/KIT ASSEMBLY

9. Position the wheel/adapter assembly onto splined shaft, (note it will go on only one way), and be sure wheel is aligned straight on vehicle. If correct, install the shaft bolt and tighten securely to 30 ft./lbs.
10. Plug wire leads from above onto each terminal on back of horn button (it doesn't matter which lead goes to which terminal). Install horn button into center of wheel, reconnect battery or reinstall fuse and enjoy your new GRANT wheel.

Our Limited Warranty

We warrant this product for ninety (90) days from the date of original purchase to be free from defects in materials and workmanship. If, during this period, the product fails under normal usage because of a manufacturing defect, then we will replace or repair the item. To obtain repair or replacement under the terms of this warranty, notify us at 615 Elca Lane, Suite C, Brownsville, TX 75821. Proof of purchase and date of purchase are required to validate warranty.

All implied warranties, including warranty of merchantability, are limited to this same ninety-day period from date of original purchase. We are not liable for any direct or consequential loss or property damage arising from any use of this product. This warranty gives you specific legal rights, and you may also have other rights which vary from state to state. Offer good in U.S.A. and Canada only.

IMPORTANT

FOR YOUR OWN SAFETY, DO **NOT** USE THIS WHEEL FOR ANY COMPETITIVE OR COMMERCIAL RACING PURPOSES: RACING DOES NOT CONSTITUTE NORMAL USAGE AND THEREFORE MAKES THIS WARRANTY VOID.

On The Web: www.grantproducts.com

Rev. 05/09 by

JF 97527-07-01